

PRODUCT NO.  
10023290-025 — OBSOLETE  
10023290-025LF

NOTES:

- ① MOLDING MATERIAL—MODIFIED POLYPHENYLENE ETHER, COLOR: BLACK, MEETING UL-94V-0.
2. PIN LENGTH TO BE .210[5.33] MIN. RECOMMENDED PIN LENGTH IS .225±.015 [5.72 ±.38]
- ③ TO LATCH TERMINAL—PUSH AS SHOWN IN FIGURE #1, BE SURE THAT LATCH SNAPS DOWN.
- ④ TO REMOVE TERMINAL—PUSH TERMINAL FORWARD. LIFT LATCH WITH HANDTOOL AS SHOWN IN FIG.#2 & 3. DAMAGE TO LATCH CAN OCCUR IF LIFTED MORE THAN 25° ANGLE TO TOP OF HOUSING.
5. SEE MINI PV™ TERMINAL TA-75 FOR CORRECT CRIMP HEIGHT FOR EACH DIFFERENT WIRE SIZE. IF THIS SPECIFICATION IS NOT MET LATCHING WILL NOT BE SATISFACTORY. PRODUCT SPECIFICATION: BUS-12-067.
6. THIS HOUSING IS INTENDED FOR USE WITH FCI ELECTRONICS MINI PV™ TERMINAL AND FCI C.T.W. MALE PIN WITH 22-26 A.W.G. WIRE.
- ⑦ MOLDING IS PRIMARY MANUFACTURING METHOD, SOLVENT BONDING. IS OPTIONAL.
- ⑧ ARROW MARKED ON HOUSING INDICATES POSITION #1.
9. PRODUCT MEETS EUROPEAN UNION DIRECTIVES AND OTHER COUNTRY REGULATIONS AS DESCRIBED IN GS-22-008.
10. THIS PRODUCT IS NOT INTENDED TO BE EXPOSED TO MANUFACTURING SOLDER PROCESSES.

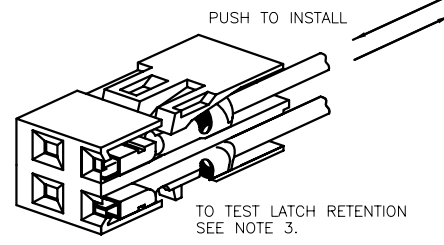
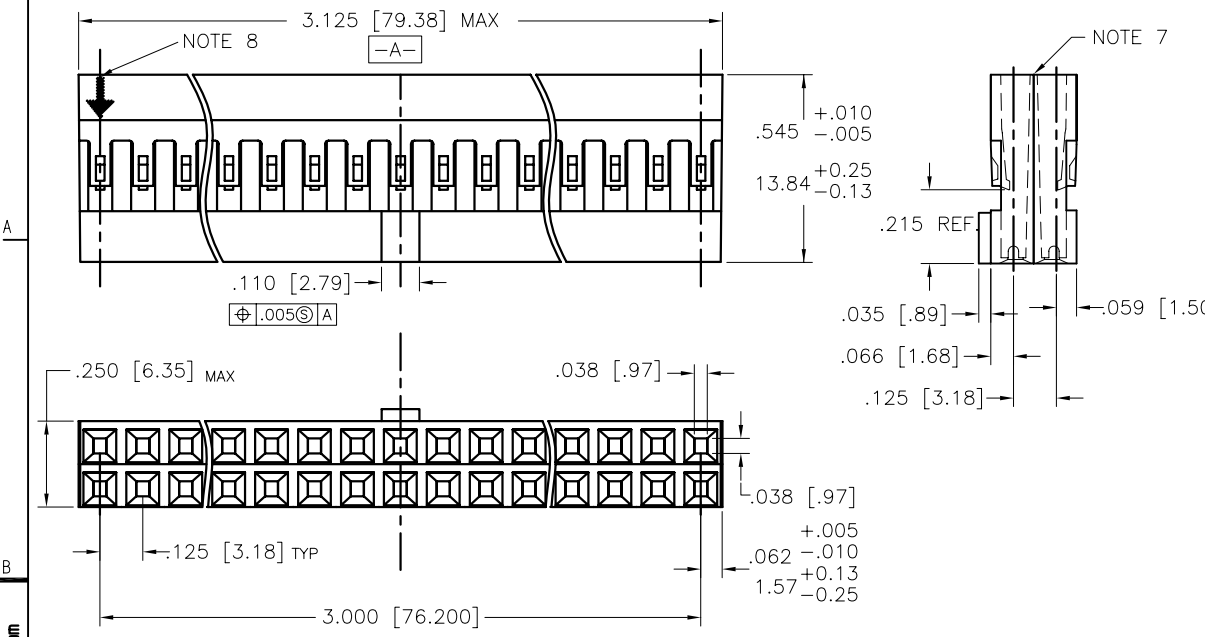


FIG 1

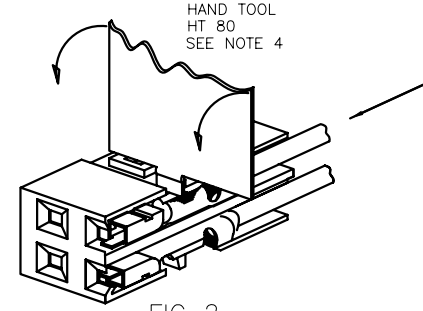


FIG 2

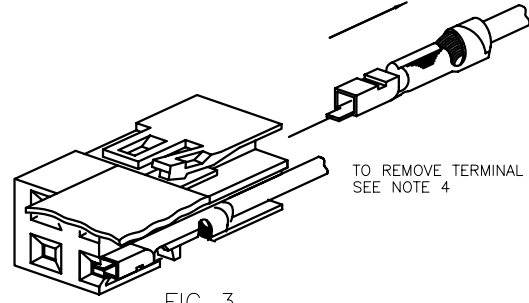


FIG 3

mat'l code		surface	tolerance	projection	product family	
SEE NOTE 1			✓		PV HOUSINGS	
ltr	ecn no	dr	date	tolerances unless otherwise specified	title	
A	v03-0376	HTB	2003-04-02	angles	MINI LATCH HOUSING W/KEY .125 [3.18] X .125 [3.18]	
B	v03-0453	HTB	2003-04-22	linear		INCH/MM
C	v03-1363	PJ	2004-02-21	0°±2°		scale 2:1
D	v05-0718	TAB	2005-07-29	dr	L. POTTEIGER	2003-03-20
E	v06-0407	HTB	2006-04-26	engr	H. SUNDY	2003-03-20
F	v07-0534	HTB	2007-08-22	chr	H. SUNDY	2003-03-20
				appd	H. SUNDY	2003-03-20
sheet	revision	F				
index	sheet	1				



dwg no 10023290 sheet 1 of 1 size A3

type Product Customer Drawing



Copyright FCI